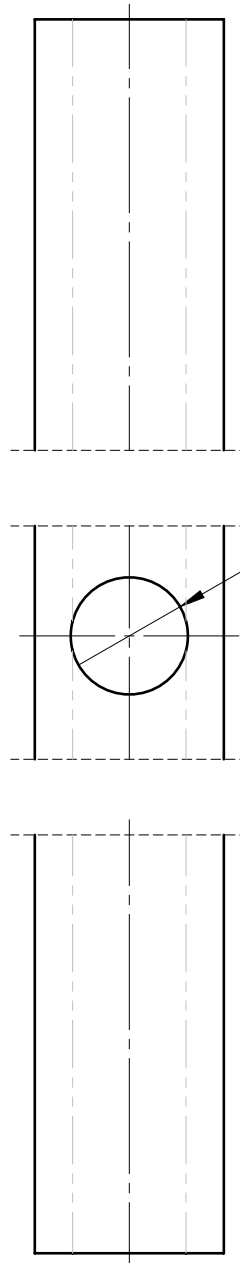
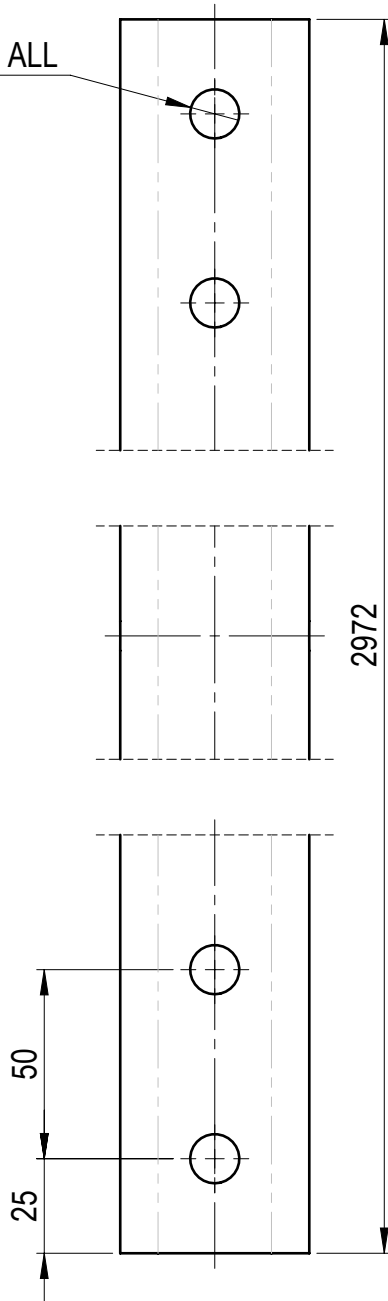
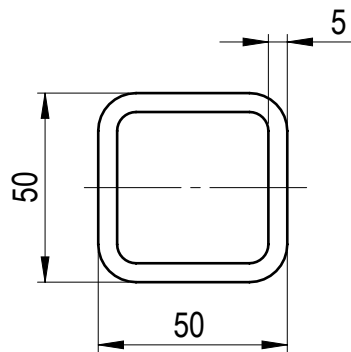


4 x  $\phi$  13 THRU ALL



$\phi$  31 THRU ALL



RAW MATERIAL INFORMATION	
Profile size	SHS 50x50x5.0
Length, mm	2972

	MATERIAL	WEIGHT	DEBURR AND BREAK SHARP EDGES		REVISION	DATE
	S355J2	19.271 Kg	DO NOT SCALE DRAWING			27.05.2025
	SURFACE PROTECTION	MACHINING	THERMAL CUTTING	WELDING	SCALE	FORMAT
	-	ISO 2768 mK	ISO 9013 221	ISO 13920 BF	1:2	A4
	NAME	SIGNATURE	PART NO.			
Designed by	D. Dislers		105-09221-02			
Drawn by	D. Dislers		DESCRIPTION			SHEET 1/1
Technical ref.			Bottom tube 1			